

black mango.

interiors

ASSEMBLY INSTRUCTIONS

HARP HOLDER SHADE

NOTE

- Do not use in the bathroom or damp places.
- Place the lamp on a flat surface and ensure there are no flammable materials around it.
- The product is for indoor use only.
- The external flexible cable or cord of this luminaire cannot be replaced, if the cord is damaged the luminaire shall be destroyed.

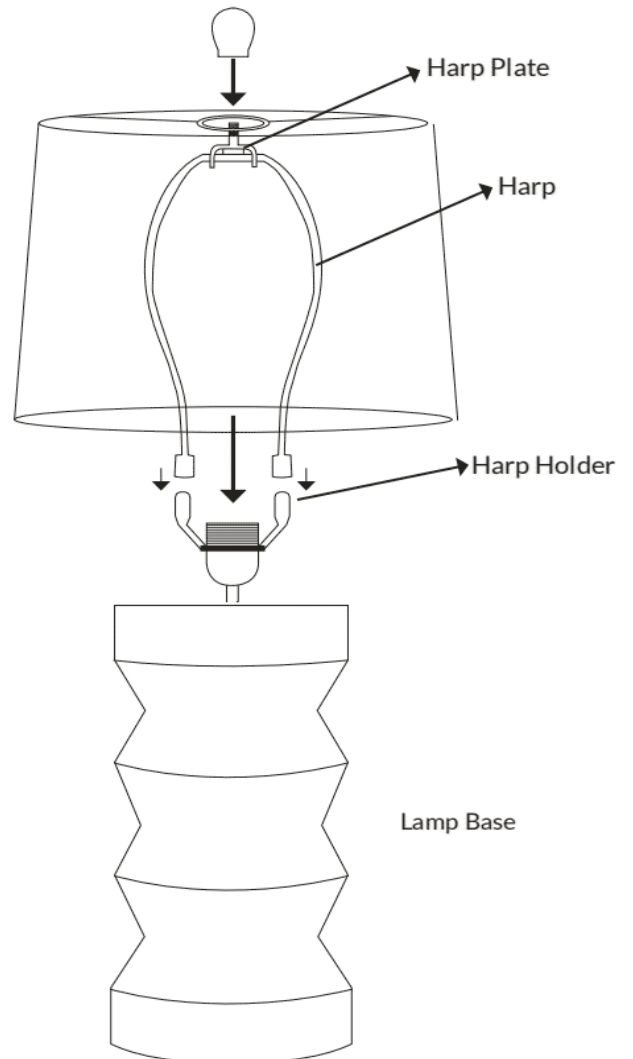
Max lamp rating 1x 60watt,

INSTALLATION INSTRUCTIONS:

1. Connect lamp harp onto the harp holder.
2. Place shade on to the top of the harp and secure the shade in place by screwing ball on to the top.
3. If shade looks lop sided, manoeuvre harp plate to be straight. Sometimes a little force may need to be used to move it.
4. Install a globe (not included) into the lamp holder. Do not exceed the maximum wattage rating.
5. Turn on at power and switch and test.

CARE & CLEANING

Ensure lamp is turned off when replacing bulbs or cleaning. Allow to cool before handling. Only replace bulbs with correct type, rating and size. Do not use harsh abrasive or solvent on any part of the fixture, clean only using dilute mild detergent on damp cloth. Do not insert any object into lamp holder during cleaning.



ENQUIRIES

For product or warranty enquiries please email team@blackmango.com.au